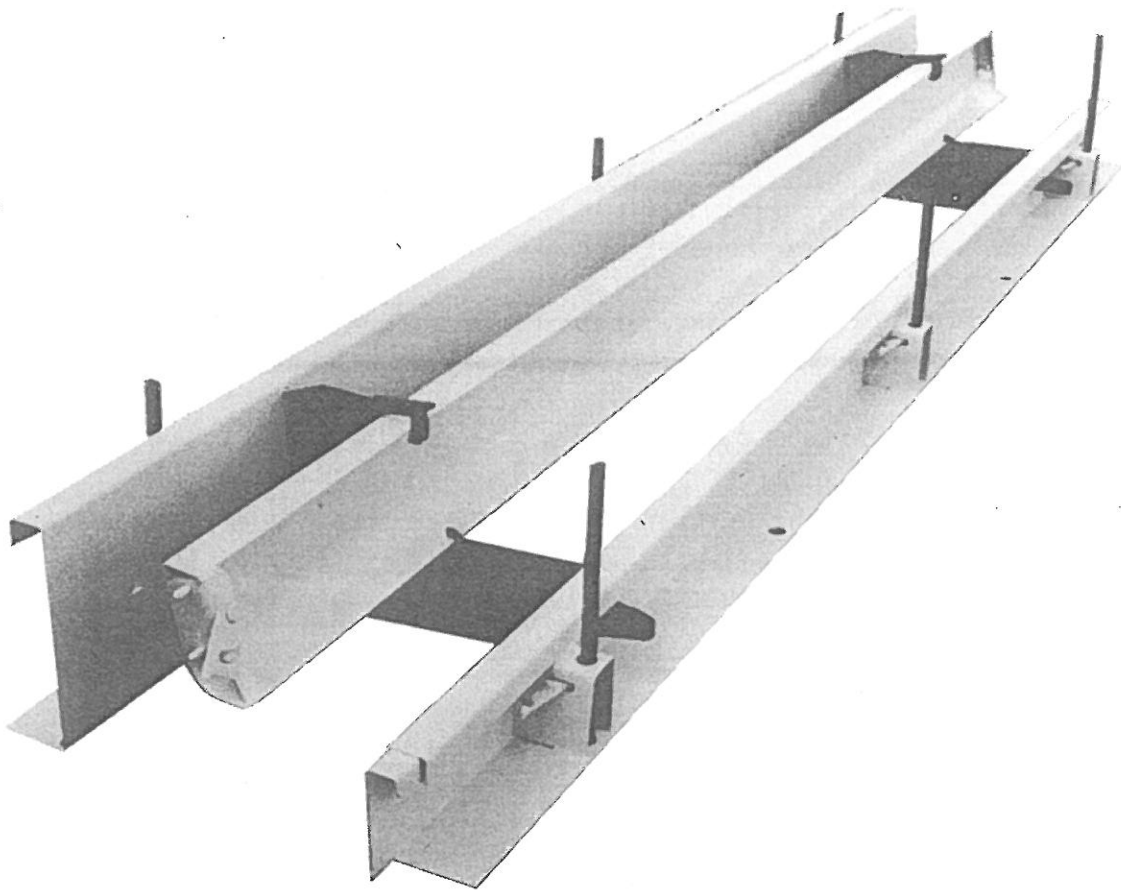


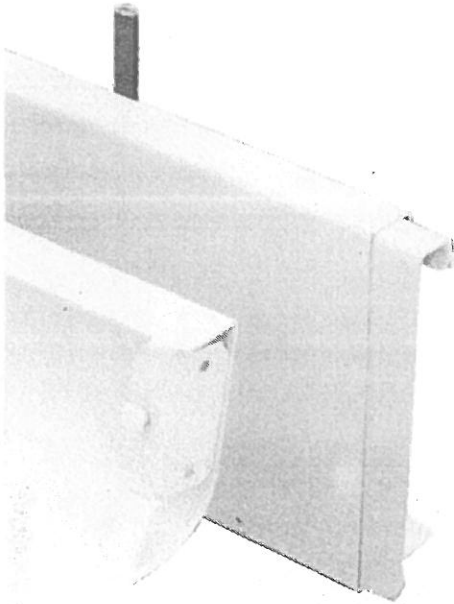
**Concrete Forming & Shoring  
Specialties, LLC**

# **"CURB -N- PAVE" FORMING SYSTEM**



*144 Doncurt Drive  
Laurel, MS 39440  
Phone: (601) 425-9090  
Fax: (601) 425-0097*

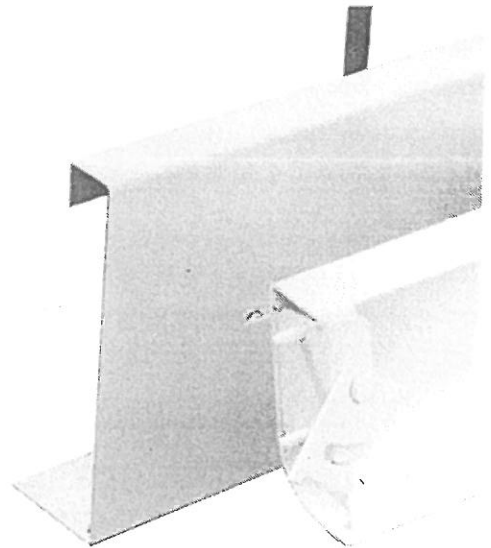
# "CURB -N- PAVE" FORMING SYSTEM *Features*



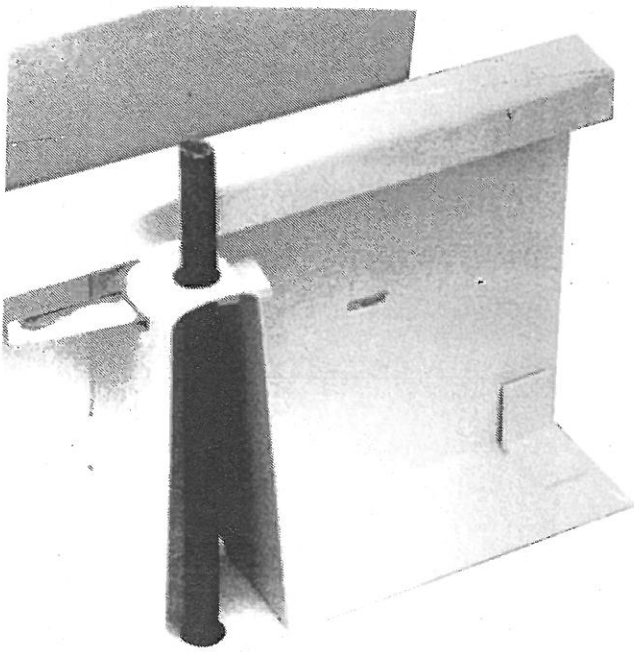
Rigid End Connections



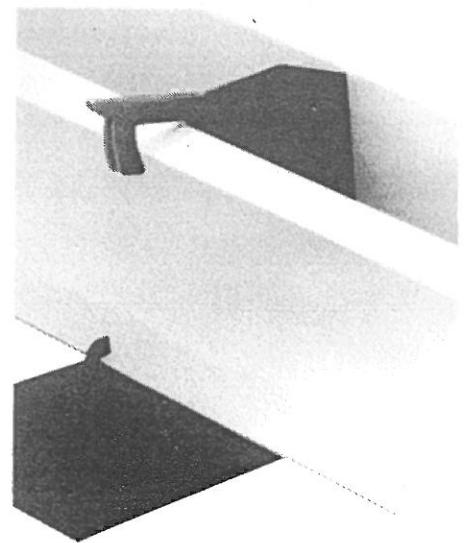
Division  
Plate Clamp



Positive Alignment

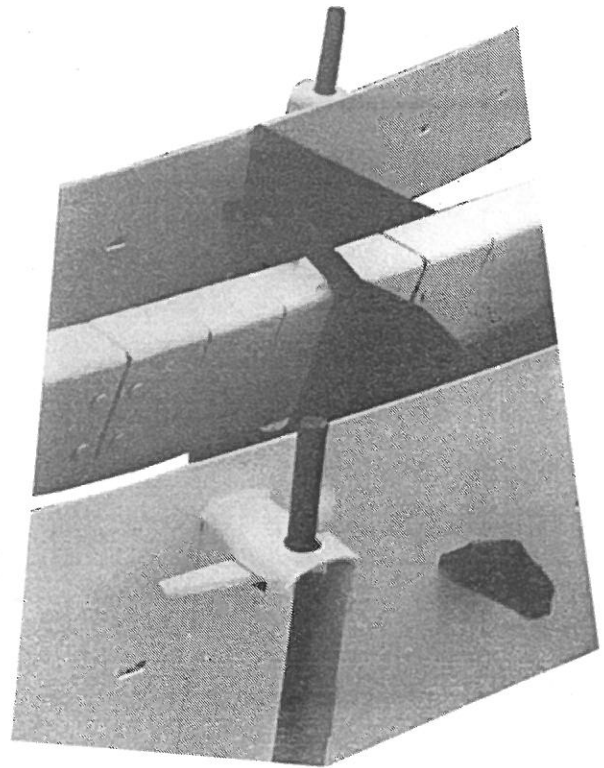
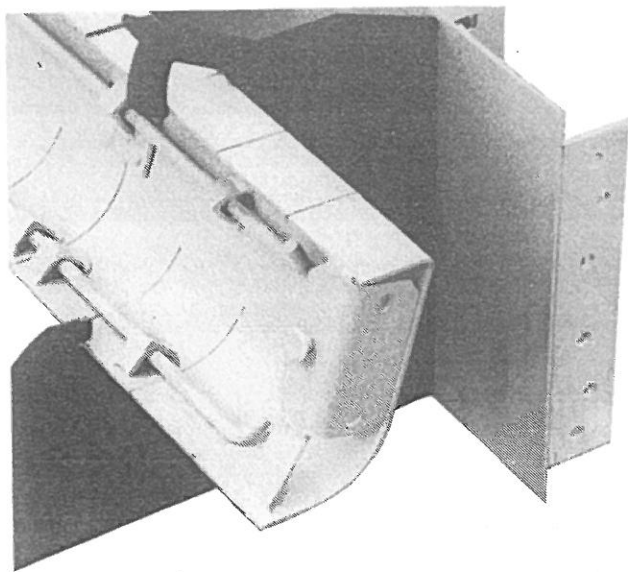
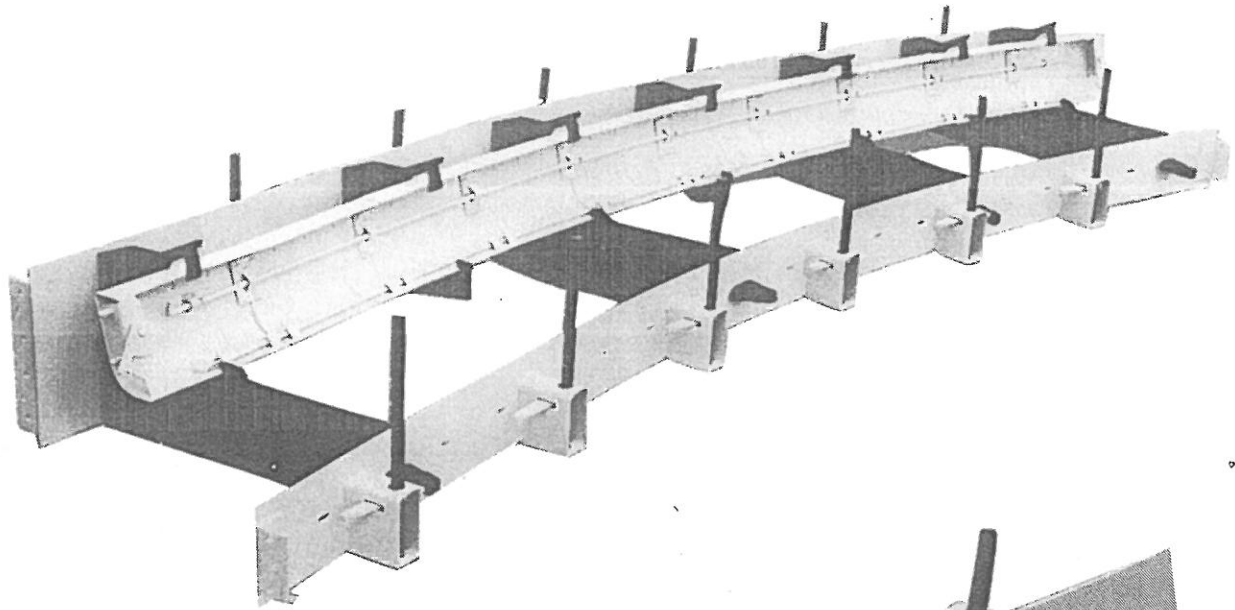


Full Height Support  
Stake Pockets

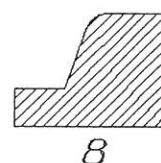
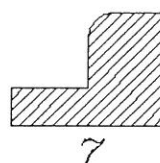
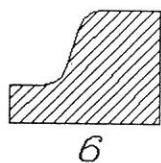
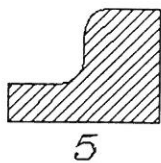
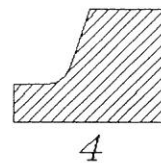
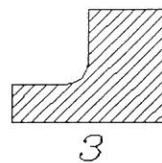
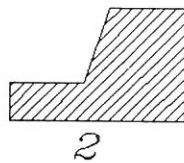
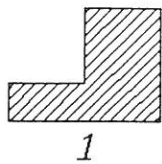


Cam Latch Style  
Division Plates

# "CURB -N- PAVE" RADIUS FORMING SYSTEM



# "CURB -N- PAVE" CURB & GUTTER DESIGN INFORMATION



## FACE FORM INFORMATION:

1. VERTICAL



2. BATTERED



3. J-VERTICAL



4. J-BATTERED



5. S-VERTICAL



6. S-BATTERED



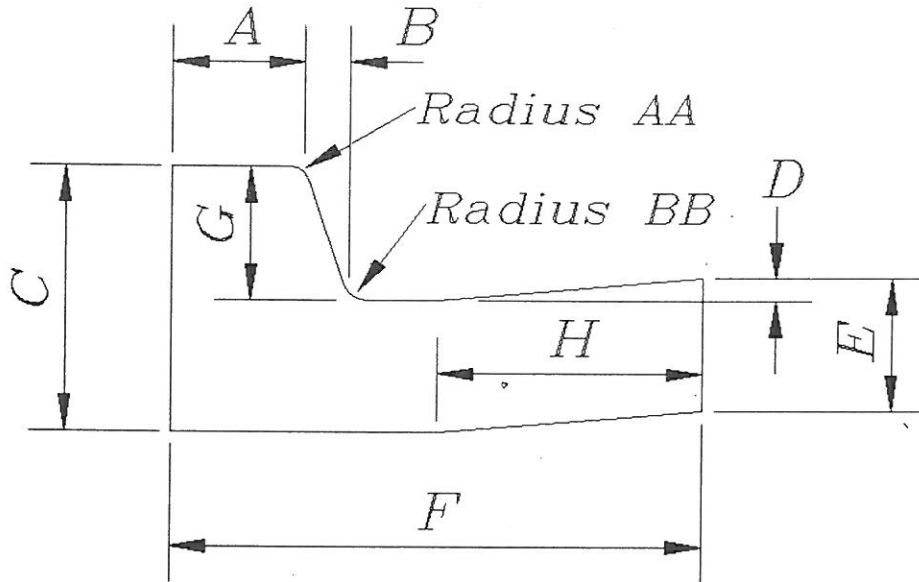
7. VERTICAL TOP RADIUS



8. BATTERED TOP RADIUS



# "CURB -N- PAVE" CURB & GUTTER DESIGN INFORMATION



## DIVISION PLATE INFORMATION:

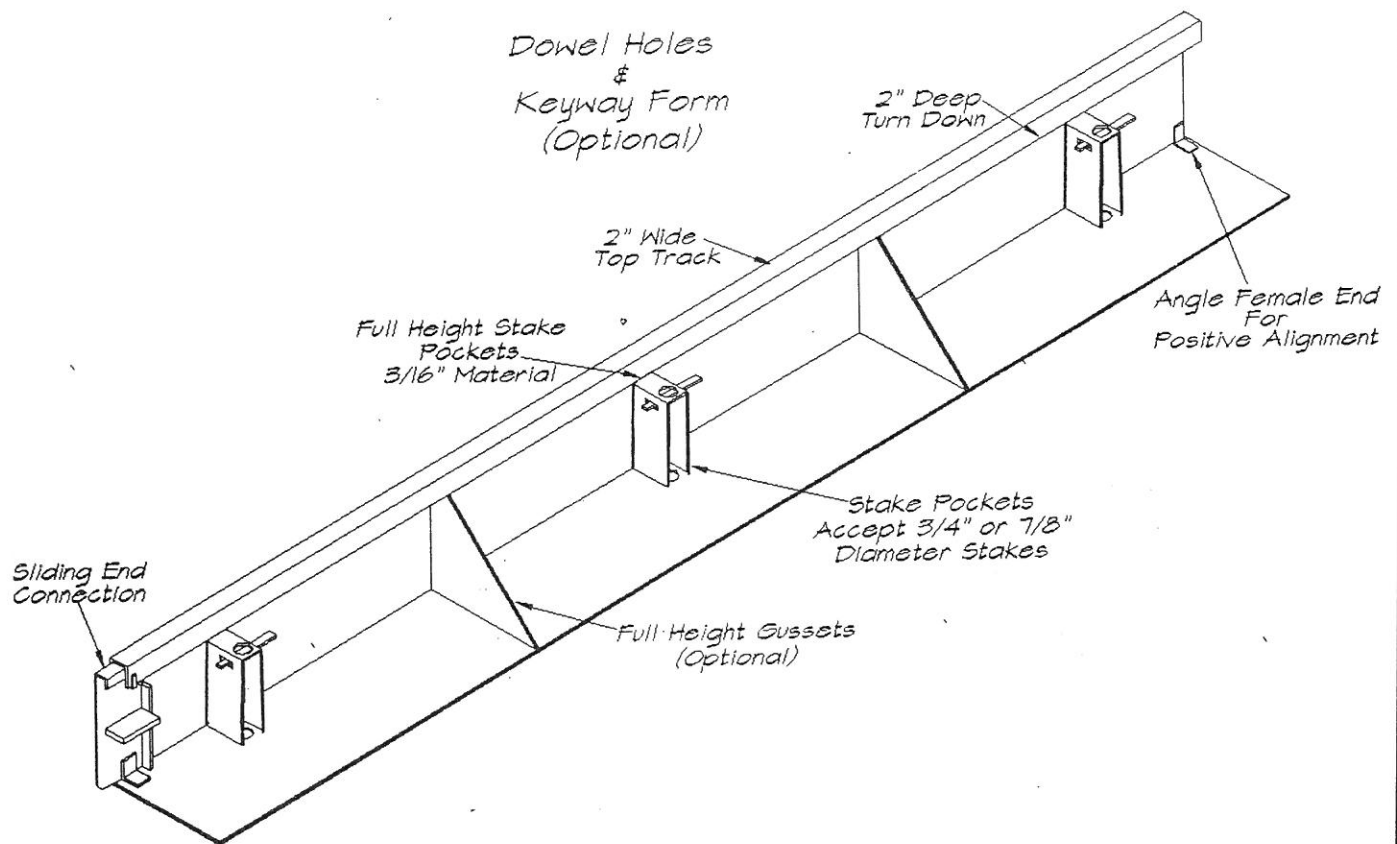
*The Following Dimensions are required:*

- A - Inches \_\_\_\_\_
- B - Inches \_\_\_\_\_
- C - Inches \_\_\_\_\_
- D - Inches \_\_\_\_\_
- E - Inches \_\_\_\_\_
- F - Inches \_\_\_\_\_
- G - Inches \_\_\_\_\_
- H - Inches \_\_\_\_\_

- AA - Inches \_\_\_\_\_
- BB - Inches \_\_\_\_\_

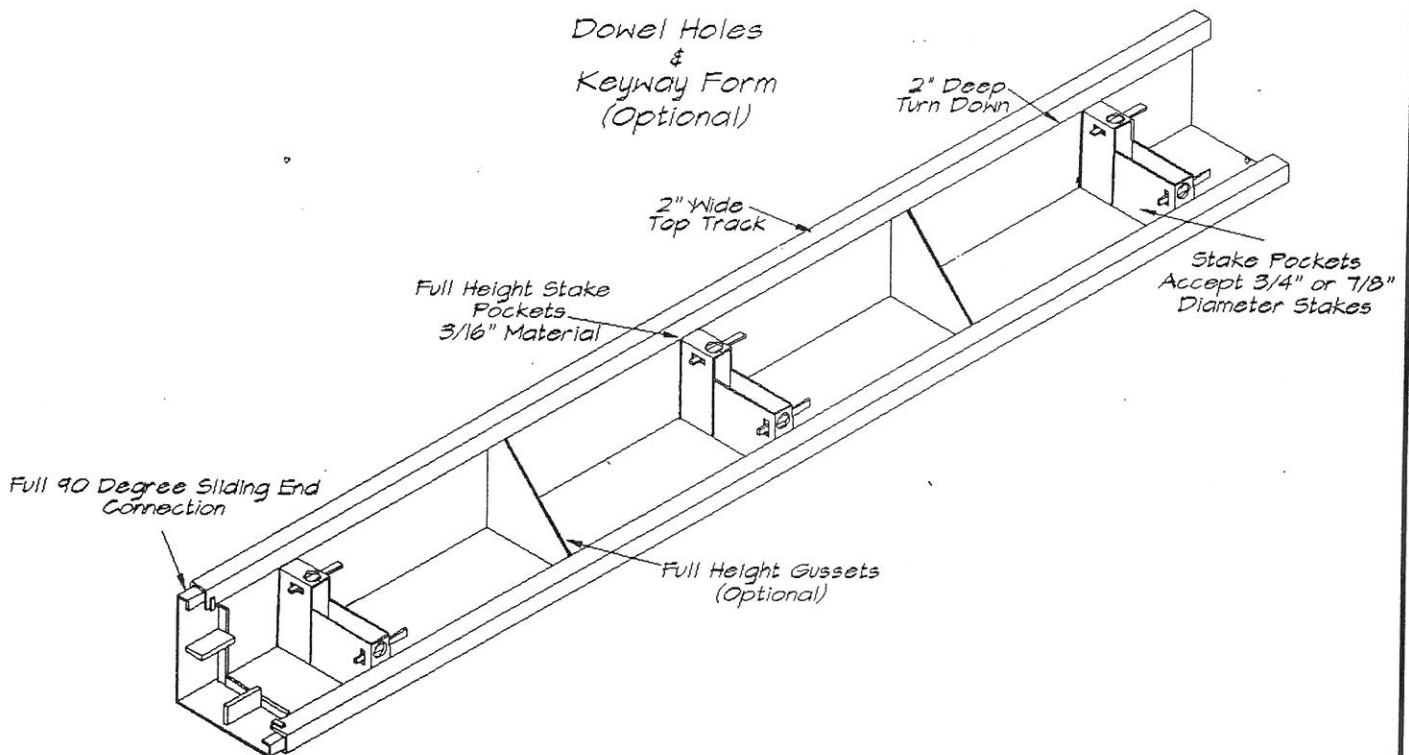
*Please provide a copy of the cross section required!*

# HEAVY DUTY PAVING FORM 3/16" OR 1/4" MATERIAL



*Paving Forms  
Built To Customer  
Specifications*

# HEAVY DUTY REVERSIBLE PAVING FORM 3/16" OR 1/4" MATERIAL



*Paving Forms  
Built To Customer  
Specifications*

**"CURB -N- PAVE"  
FORMING SYSTEM  
MANUFACTURED ITEMS**

*Curb & Cutter Forms*  
*Curb & Gutter Face Forms*  
*Flexible Radius Curb & Gutter Forms*  
*Flexible Radius Face Forms*  
*Full Depth Division Plates*  
*Half Depth Division Plates*  
*Skeleton Division Plates*  
*Division Plates - Hanger Type*  
*Face Form Top Spreaders*  
*Curb Form Spreaders*  
*Division Plate Clamps*  
*Heavy Duty Paving Forms*  
*Heavy Duty Reversible Paving Forms*  
*Median Barrier Forms*  
*Custom Forms*