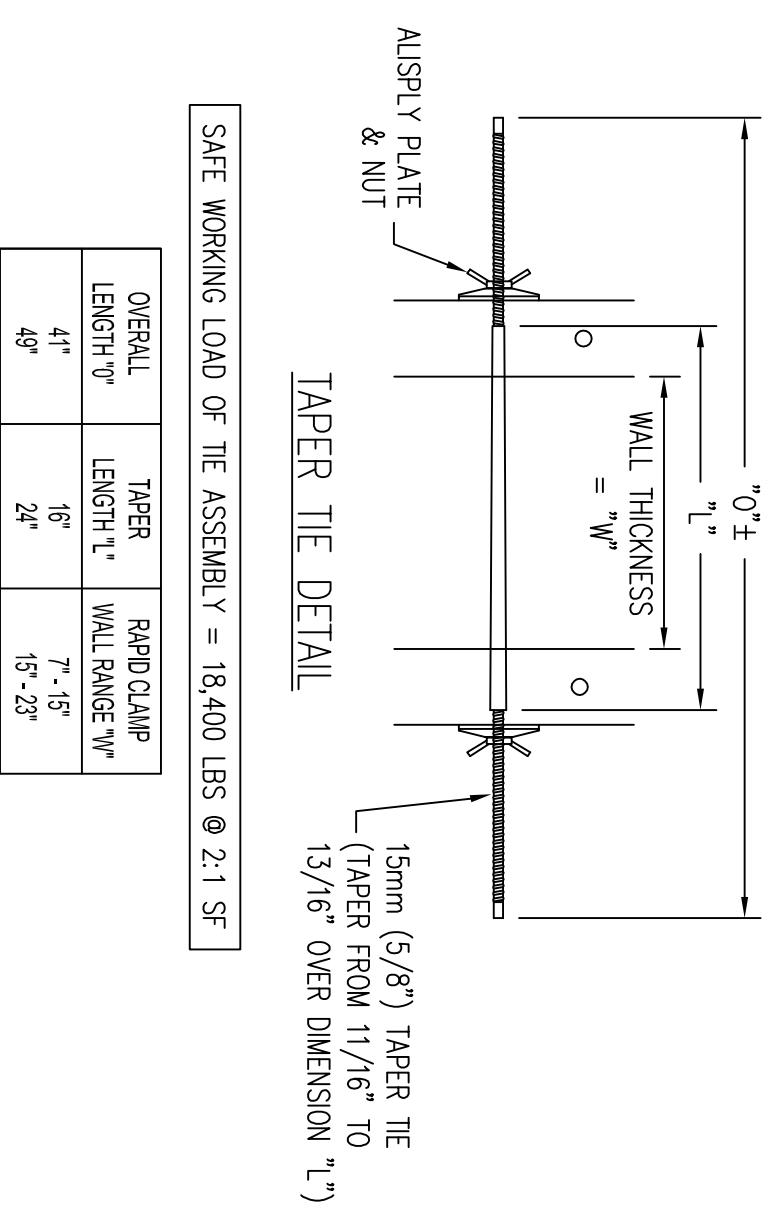


Rapid Clamp Safety Applications

ALL SYMONS COMPONENTS AND ACCESSORIES ARE DESIGNED WITH SAFETY AND PERFORMANCE IN MIND. THE APPLICATION NOTES ON THIS SHEET WILL HELP YOU ACHIEVE A SAFE AND PRODUCTIVE FORMING OPERATION. IT IS RECOMMENDED THAT ALL CONSTRUCTION PERSONNEL THOROUGHLY FAMILIARIZE THEMSELVES AND COMPLY WITH THE APPLICABLE INDUSTRY STANDARDS AND SAFE PRACTICES ESTABLISHED BY THE AMERICAN CONCRETE INSTITUTE, AMERICAN NATIONAL STANDARDS INSTITUTE, THE OCCUPATIONAL SAFETY AND HEALTH ADMINISTRATION, AND THE SCAFFOLDING AND SHORING INSTITUTE.

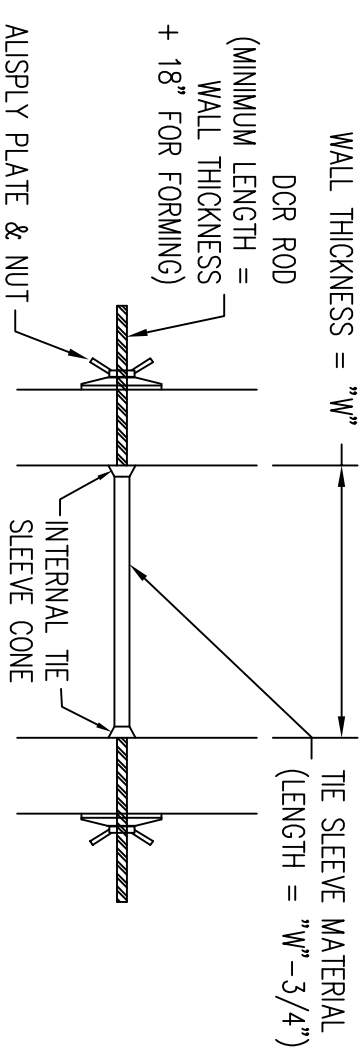
IMPORTANT:
ALL FORMING AND SHORING COMPONENTS MUST BE INSPECTED REGULARLY FOR DAMAGE OR EXCESSIVE WEAR. EQUIPMENT FOUND TO BE DAMAGED OR EXCESSIVELY WORN MUST BE REPLACED IMMEDIATELY.

TIES & TIE CAPACITIES



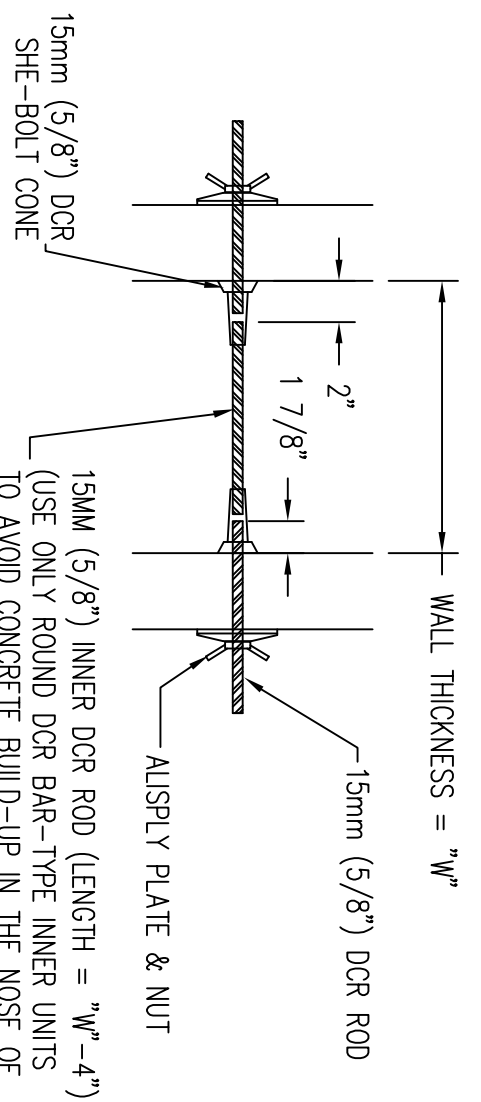
SAFE WORKING LOAD OF THE ASSEMBLY = 18,400 LBS @ 2:1 SF

OVERALL LENGTH	TAPER LENGTH	ROD CLAMP WALL RANGE
4'-0"	1'-0"	1'-0"
4'-6"	1'-6"	1'-6"
5'-0"	2'-0"	1'-6"



THE SLEEVE DETAIL

SAFE WORKING LOAD OF 15MM (5/8") DOOR ROD = 19,100 LBS @ 2:1 SF



SHE-BOLT CONE DETAIL

SAFE WORKING LOAD OF THE ASSEMBLY = 19,100 LBS @ 2:1 SF

SPECIFIC TIE NOTES

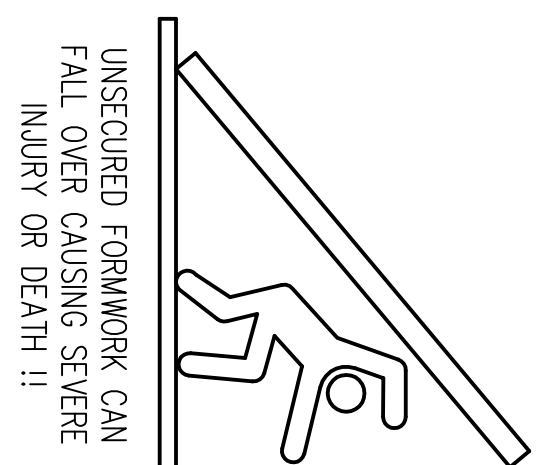
- 1.) WHEN USING TAPER TIES, IT IS VERY IMPORTANT THAT THE TIE NUTS ARE CONSISTANTLY FITTED SNUG. AN OVERTIGHTENED TIE COULD CAUSE A TIE FAILURE DUE TO UNEVEN THE LOADING. USE OF WALL SPREADERS IS RECOMMENDED TO AID IN MAINTAINING FORM SPACING BOTH DURING ERECTION AND POUR PROCESS.
- 2.) TAPER TIES MUST BE ADEQUATELY LUBRICATED TO AID IN STRIPPING.



WARNING

- 1.) BRACING MUST BE IN PLACE WHILE SETTING FORMWORK AND REMAIN IN PLACE UNTIL FORMS ARE STRIPPED.
- 2.) CONTRACTOR IS TO INSURE THAT FORMWORK IS PROPERLY BRACED AND STABILIZED AGAINST WIND AND OTHER EXTERNAL FORCES.

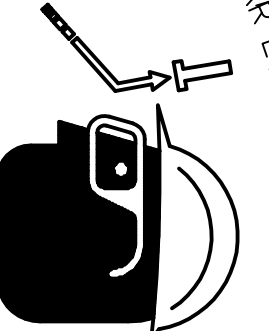
IMPORTANT:



UNSECURED FORMWORK CAN FALL OVER CAUSING SEVERE INJURY OR DEATH !!

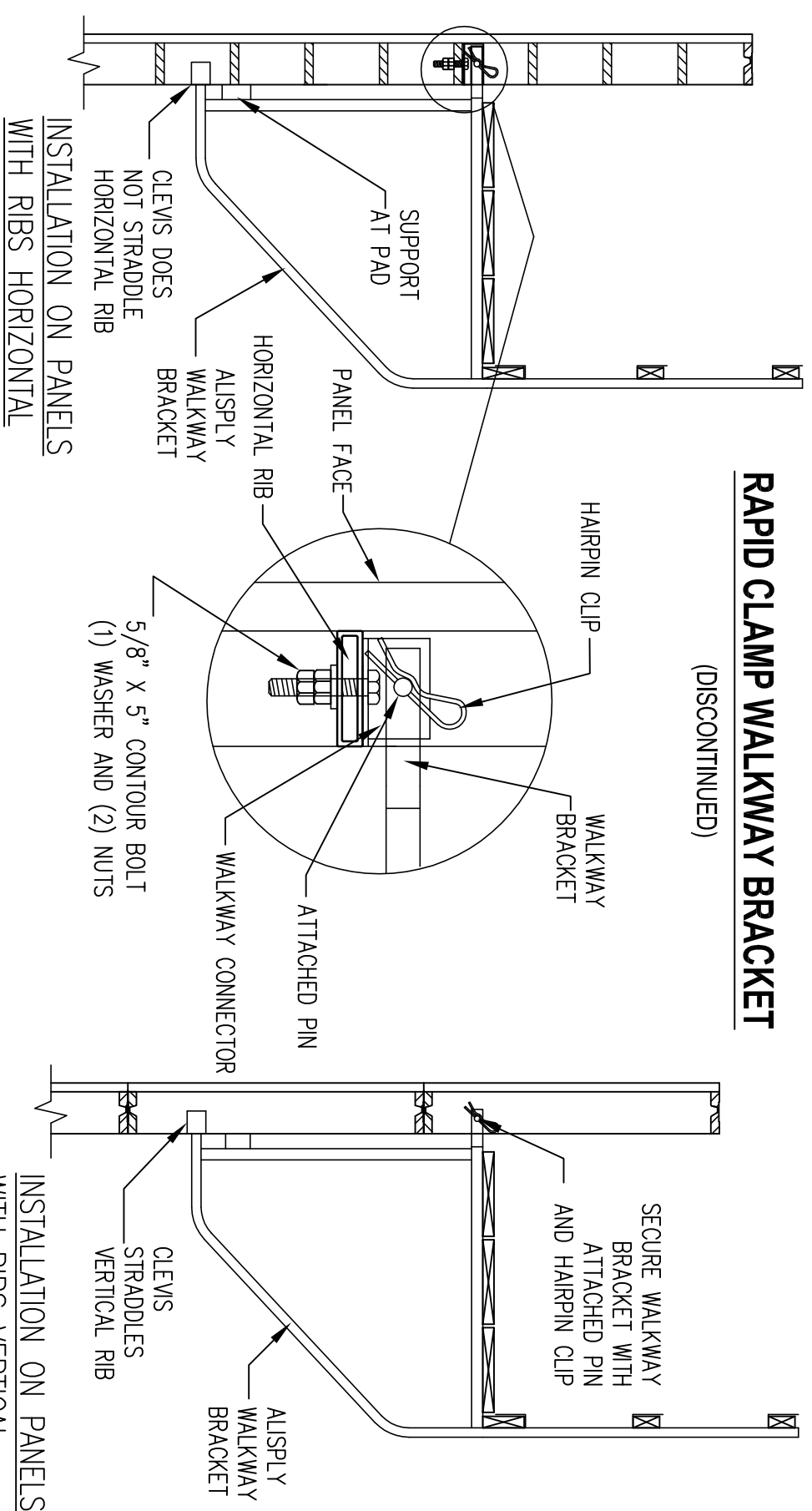
- STRIPPING AND REMOVAL OF GANG FORMS
- 1.) ATTACH THE CRANE RIGGING TO THE LIFTING BRACKETS AND SLOWLY TAKE UP THE SLACK IN THE RIGGING.
 - 2.) SAFELY REMOVE ALL TIES, BRACES, AND ALIGNERS.
 - 3.) BREAK THE BOND BETWEEN THE CONCRETE AND THE FORMS. DO NOT USE THE CRANE TO BREAK THE BOND.
 - 4.) MOVE THE GANG FORM TO THE NEXT LOCATION.
 - 5.) FULLY BRACE AND SECURE THE FORM BEFORE REMOVING CRANE RIGGING.

WEAR EYE AND HEAD PROTECTION



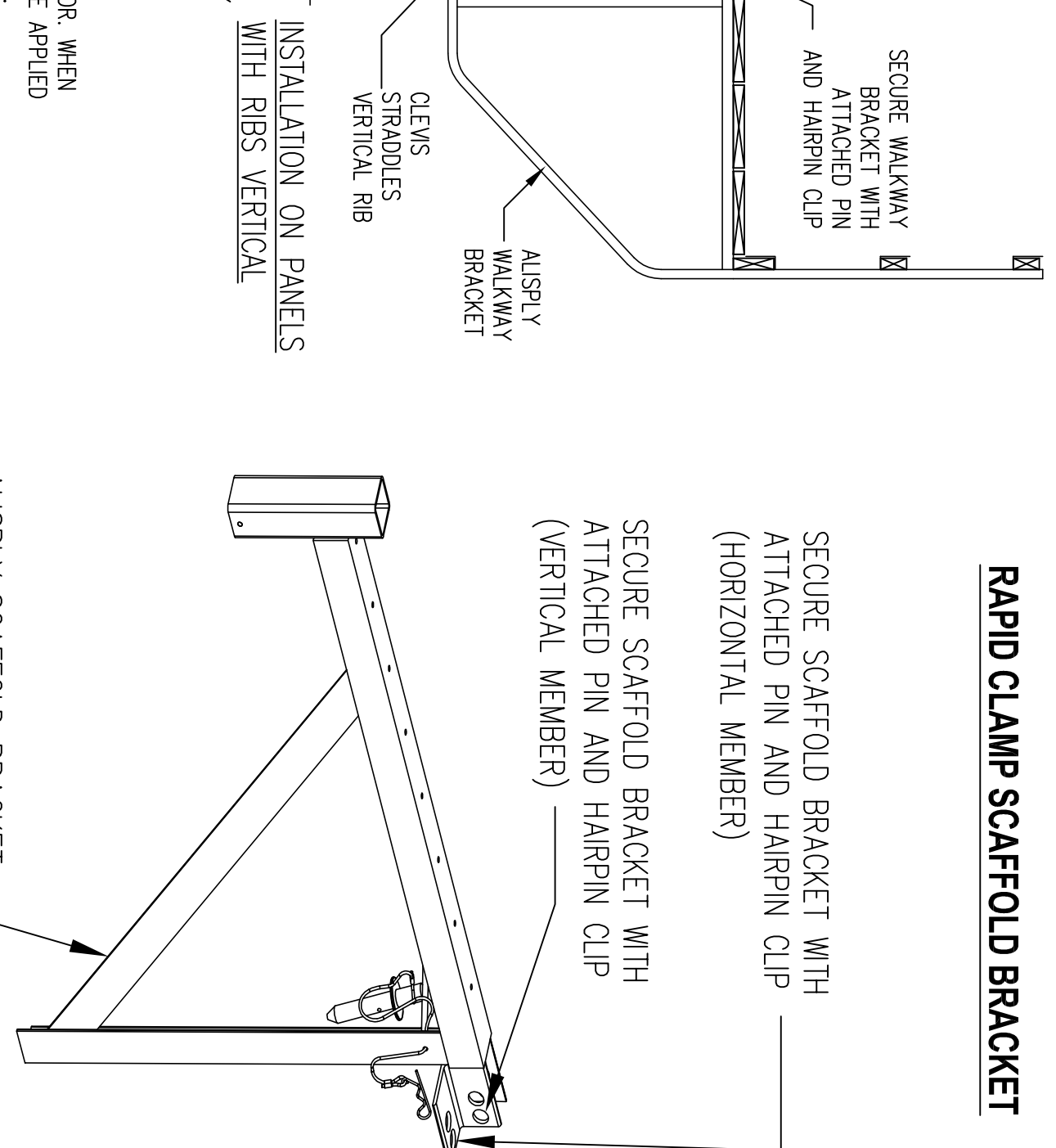
SYMONS RECOMMENDS GLOVES, HANDSAWS, SAFETY SHOES, AND SAFETY GLASSES BE WORN DURING ALL FORMING AND POURING OPERATIONS.

RAPID CLAMP WALKWAY BRACKET



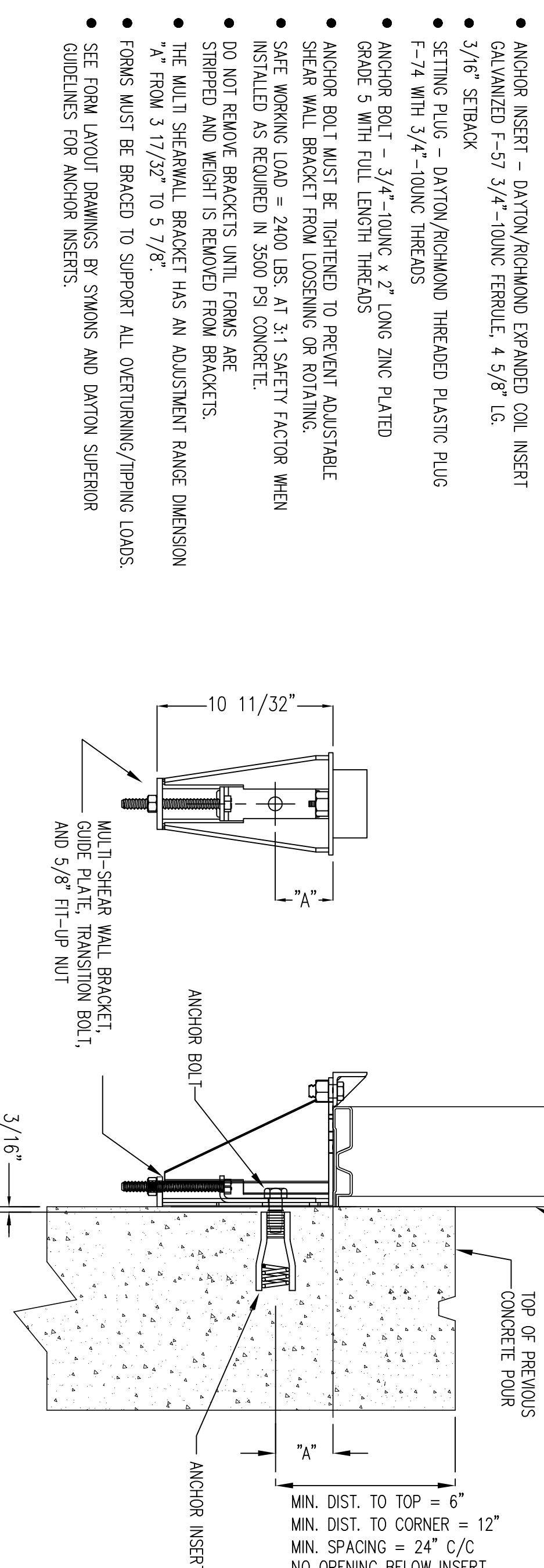
- WARNING - IMPROPER ATTACHMENT OF WALKWAY BRACKETS AND WALKWAY COMPONENTS MAY RESULT IN SEVERE INJURY. CANTILEVERED PLANKING MAY REQUIRE ATTACHING THE BOTTOM CLEWS TO PANEL.
- DO NOT USE WALKWAY BRACKET AS A LIFTING BRACKET OR TIE-OFF.
- ALLOWABLE LOAD ON WALKWAY BRACKET IS 400 LBS @ 4:1 SAFETY FACTOR. WHEN LOAD ON BRACKETS = 25 PER. SECURE PLANKING TO WALKWAY BRACKETS.
- THE WALKWAY BRACKETS ARE SPACED AT 6'-4" MAXIMUM ALLOWABLE APPLIED LOAD ON BRACKETS = 25 PER. SECURE PLANKING TO WALKWAY BRACKETS.
- THE CONTRACTOR IS RESPONSIBLE FOR ENSURING THAT ALL WORKERS HAVE ADEQUATE FALL PROTECTION DURING FORMWORK ERECTION.
- THE CONTRACTOR IS RESPONSIBLE FOR DESIGNING AND SUPPLYING ANY ADDITIONAL COMPONENTS (PLANKING, GUARDRAILS, ETC.) REQUIRED TO CREATE A WORK PLATFORM WHICH MEETS OR EXCEEDS ALL APPLICABLE INDUSTRY STANDARDS.

RAPID CLAMP SCAFFOLD BRACKET



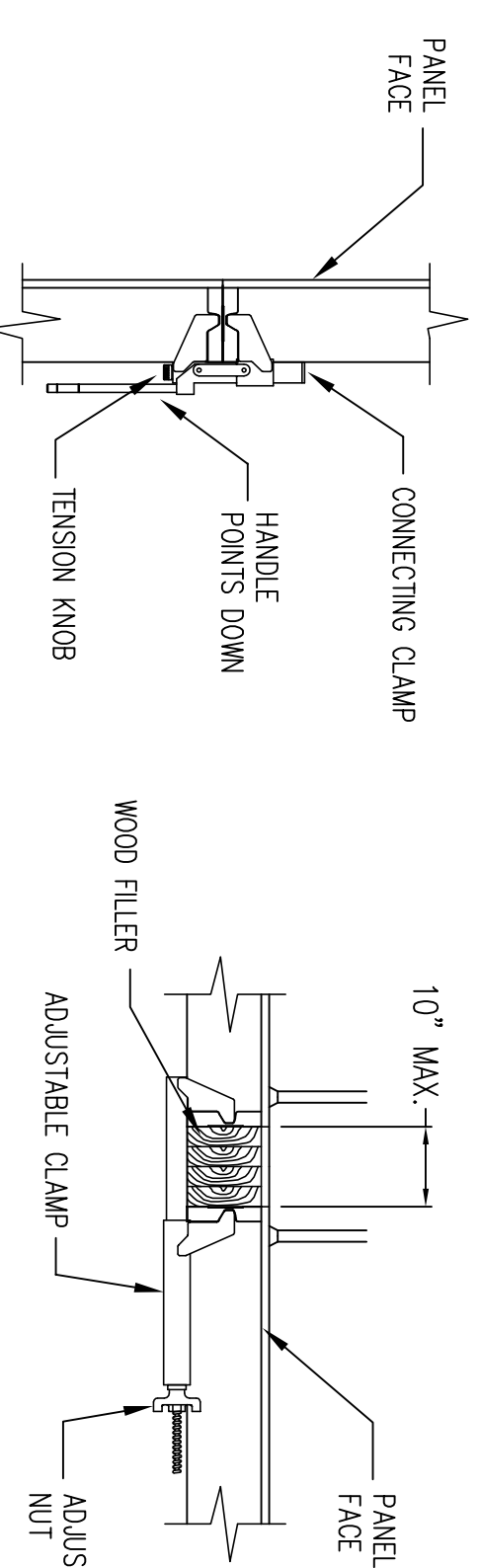
- SECURE WALKWAY BRACKET WITH ATTACHED PIN AND HAIRPIN CLIP
- SECURE SCAFFOLD BRACKET WITH ATTACHED PIN AND HAIRPIN CLIP (VERTICAL MEMBER)
- ALLSPLY SCAFFOLD BRACKET

MULTI SHEARWALL BRACKET



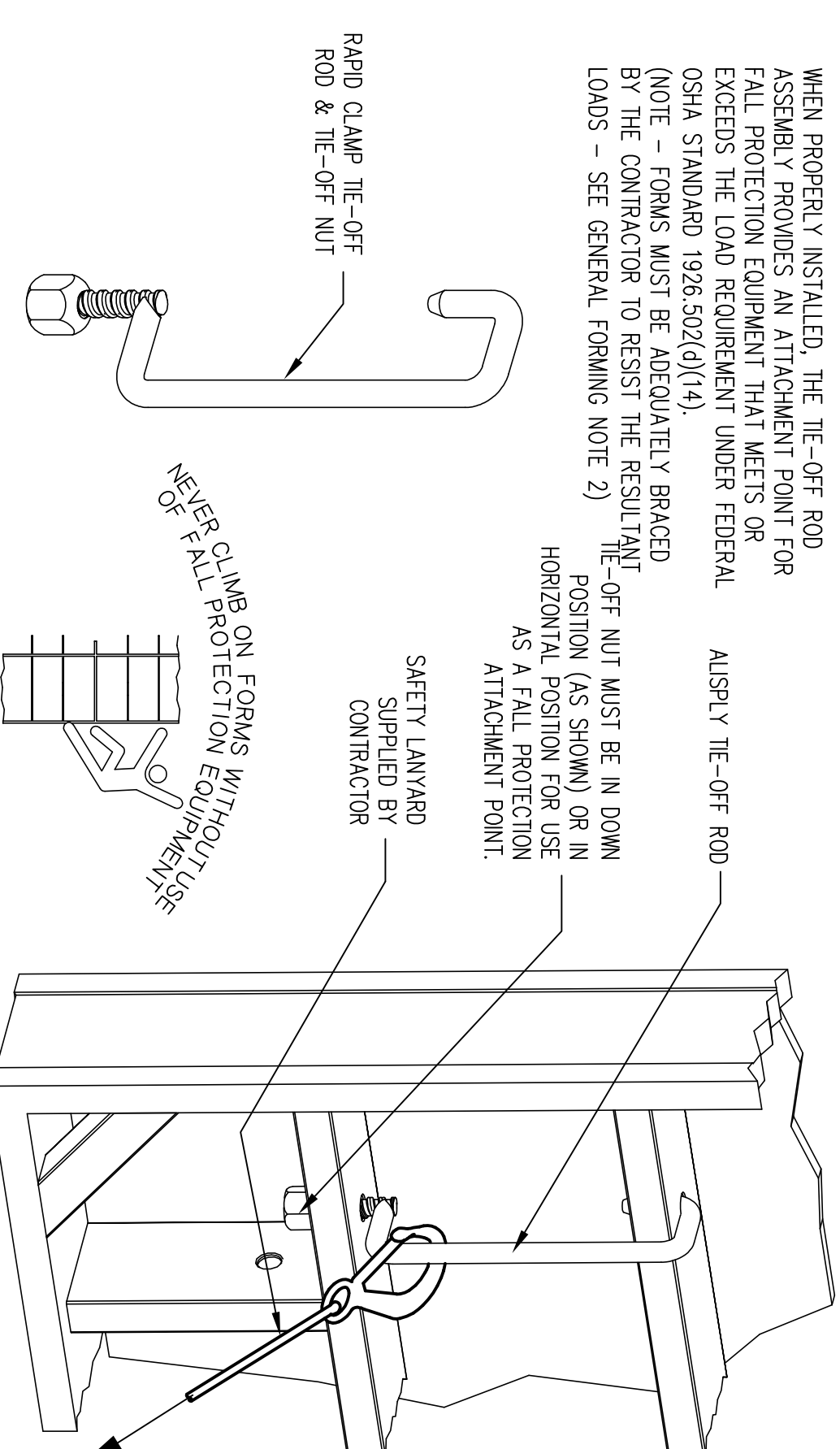
- ANCHOR INSERT - DAYTON/RICHMOND EXPANDED COIL INSERT GALVANIZED F-57 3/4"-10UNC FERRULE 4 5/8" LG.
- 3/16" SETBACK
- SETTING PLUG - DAYTON/RICHMOND THREADED PLASTIC PLUG F-74 WITH 3/4"-10UNC THREADS
- ANCHOR BOLT - 3/4"-10UNC x 2" LONG ZINC PLATED GRADE 5 WITH FULL LENGTH THREADS
- ANCHOR BOLT MUST BE TIGHTENED TO PREVENT ADJUSTABLE SHEAR WALL BRACKET FROM LOOSENING OR ROTATING.
- SAFE WORKING LOAD = 2400 LBS. AT 3:1 SAFETY FACTOR WHEN INSTALLED AS REQUIRED IN 3500 PSI CONCRETE.
- DO NOT REMOVE BRACKETS UNTIL FORMS ARE STRIPPED AND WEIGHT IS REMOVED FROM BRACKETS.
- THE MULTI SHEARWALL BRACKET HAS AN ADJUSTMENT RANGE DIMENSION "A" FROM 3/17/32" TO 5 7/8".
- FORMS MUST BE BRACED TO SUPPORT ALL OVERTURNING/TIPPING LOADS.
- SEE FORM LAYOUT DRAWINGS BY SYMONS AND DAYTON SUPERIOR GUIDELINES FOR ANCHOR INSERTS.

CLAMP CONNECTIONS



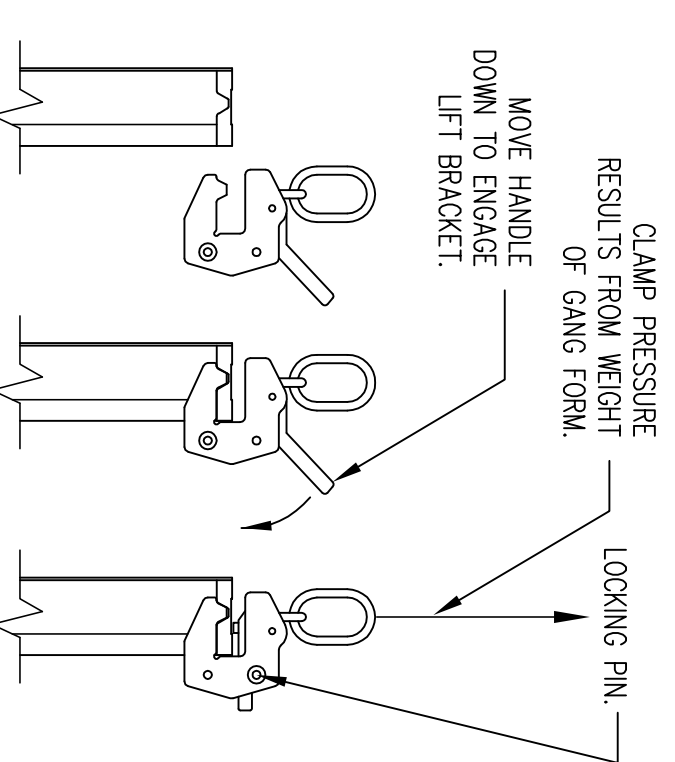
- DO NOT USE CLAMPS AS SAFETY BELT ATTACHMENT POINT.
- DO NOT STAND ON OR USE CLAMP AS STEP.
- CLAMPS MUST BE FULLY CLOSED AND ENGAGED PRIOR TO LIFTING GANG.
- DO NOT USE CLAMPS WITH HANDLE IN THE UP POSITION.
- CLAMP TENSION IS ADJUSTED BY TURNING THE TENSION KNOB. TENSION THAT DOES NOT DAMAGE EQUIPMENT AND PROVIDES PROPER CLAMP FORCE MUST BE DETERMINED AND MAINTAINED BY CONTRACTOR.
- WOOD FILLER IS TO ONLY OCCUR AT VERTICAL JOINTS BETWEEN GANG FORMS.

ATTACHMENT POINT FOR FALL PROTECTION EQUIPMENT



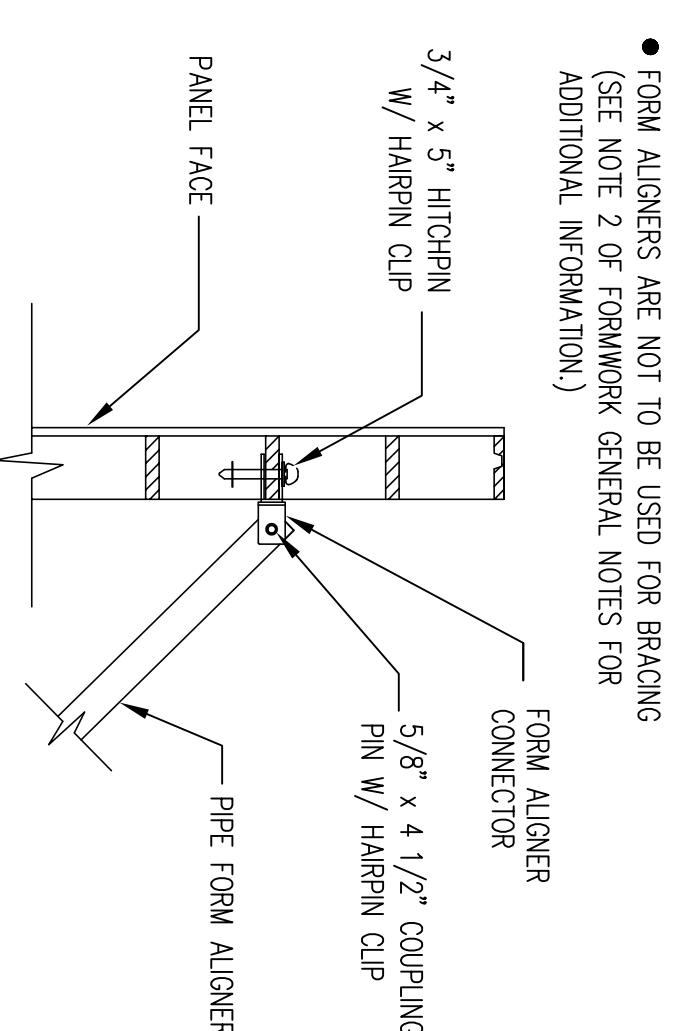
- AN ATTACHMENT ROD IS TO BE USED BY ONLY ONE PERSON AT ANY GIVEN TIME.
- ATTACH SAFETY BELT TO SAFETY BELT ATTACHMENT ROD WHILE WORKING OR CLIMBING THE FORM.
- SAFETY BELT ATTACHMENT RODS SHOULD BE SPACED AS REQUIRED TO PROVIDE THE NECESSARY FALL PROTECTION ATTACHMENT POINTS.
- FORMWORK MUST BE ADEQUATELY BRACED BY THE CONTRACTOR TO RESIST THE RESULTANT LOADS.

ALLSPLY GANG LIFTING



- WEIGHT OF ALLSPLY GANG FORM IS APPROXIMATELY 113 LB/SQ FT INCLUDING HARDWARE.
- MINIMUM TWO LIFT BRACKETS REQUIRED.
- GANGS REQUIRING MORE THAN TWO LIFT BRACKETS REQUIRE A LIFTING BEAM (BY OTHERS).

FORM ALIGNMENT



RAPID CLAMP SAFETY APPLICATIONS

FOR	JOB	LOCATION	DATE	DRAWING NO.	SHEET NO.

SYMONS
BY DAYTON SUPERIOR

2400 ARTHUR AVENUE
ELK GROVE VILLAGE, IL 60007
PHONE (800) 800-3552
Website: www.daytonsuperior.com